



ЗАО «Серебряный дракон»

Закрытое акционерное общество

«Международная компания «Серебряный дракон»

680000, г. Хабаровск, ул. Комсомольская, д.28 оф.18,

тел./факс (4212) 750-562, e-mail: mail@sdlc.ru, www.sdlc.ru

ОКПО 81960420, ОГРН 1072721019491, ИНН/КПП 2721152035/272101001

Шпиндельные двигатели Haina

Permanent Torque Spindle

0.3kw spindle motor



0.3 kw Spindle Motor

Brand name: Haina

Spindle type: HNZ-48D/0.3

Function: used in wood carving machine

Rev(r/min): 20000rpm-60000rpm

Power(kw): 0.3

Voltage(v): 75

Current(A): 2.5

Frequency(HZ):333-1000

Cool: cooled by water

Bearing type: 2*NSK7001CP4 1*SW7001CP4

Lubricate: grease

Repair time: bearing(half year), spindle(one year)

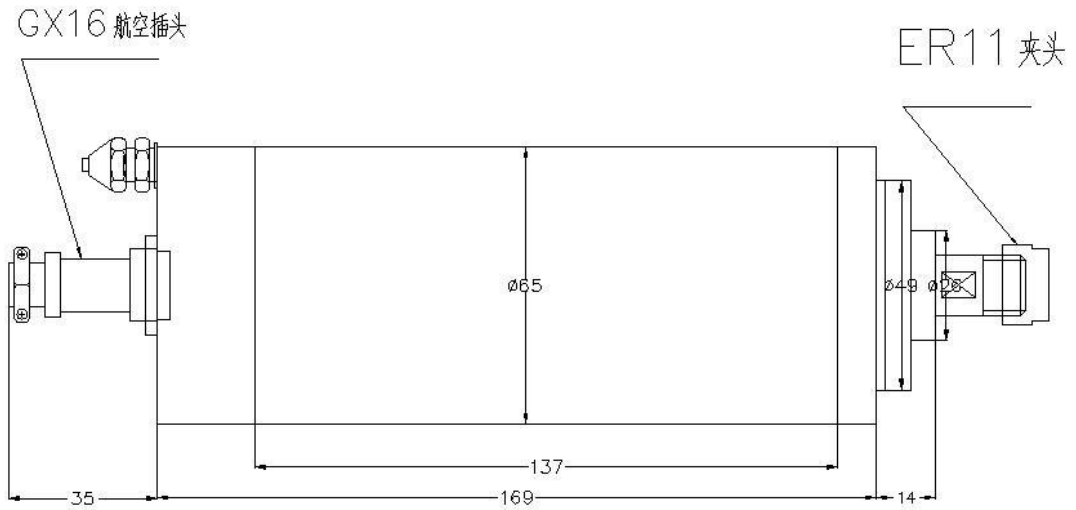
Collet(mm): ER8

Diameter(mm): 48

D1:42MM

Length:119mm L1:6mm L2:25mm

0.8kw Spindle Motor



0.8 kw Spindle Motor

Brand name: Haina

Spindle type: HNZ-65D/0.8

Function: used in wood carving machine

Rev(r/min): 24000

Power(kw): 0.8

Voltage(v): 220

Current(A): 5.0

Frequency(HZ): 400

Cool: cooled by water

Bearing type: 1*7002CP4 1*7002CP4

Lubricate: grease

Repair time: bearing(half year), spindle(one year)

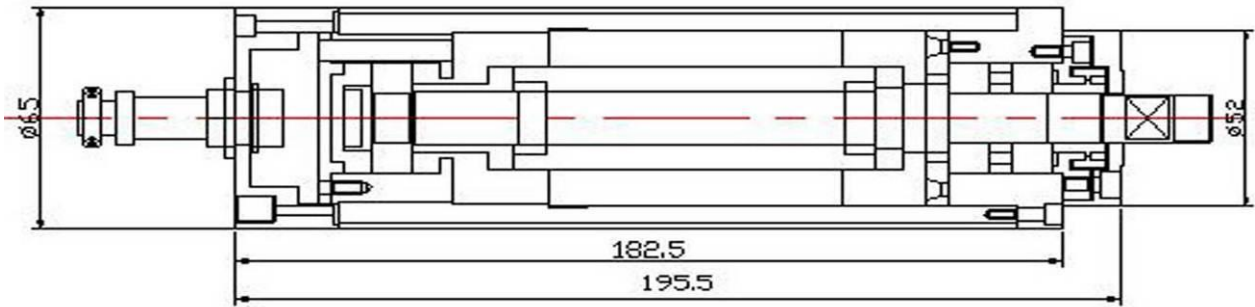
Weight(kg): 3.1

Collet(mm): ER11

Diameter(mm): 65

EXW: USD114

0.8kw-A Spindle Motor



0.8kw-A Spindle Motor

Spindle type: HNZ-65D/0.8A

Brand name: Haina

Function: used in wood carving

Rev(r/min): 24000

Power(kw): 0.8

Voltage(v): 220

Current(A): 5.0

Frequency(HZ): 400

Cool: cooled by water

Bearing type: 2*7002CP4 1*7002CP4

Lubricate: grease

Repair time: bearing(half year), spindle(one year)

Weight(kg): 4

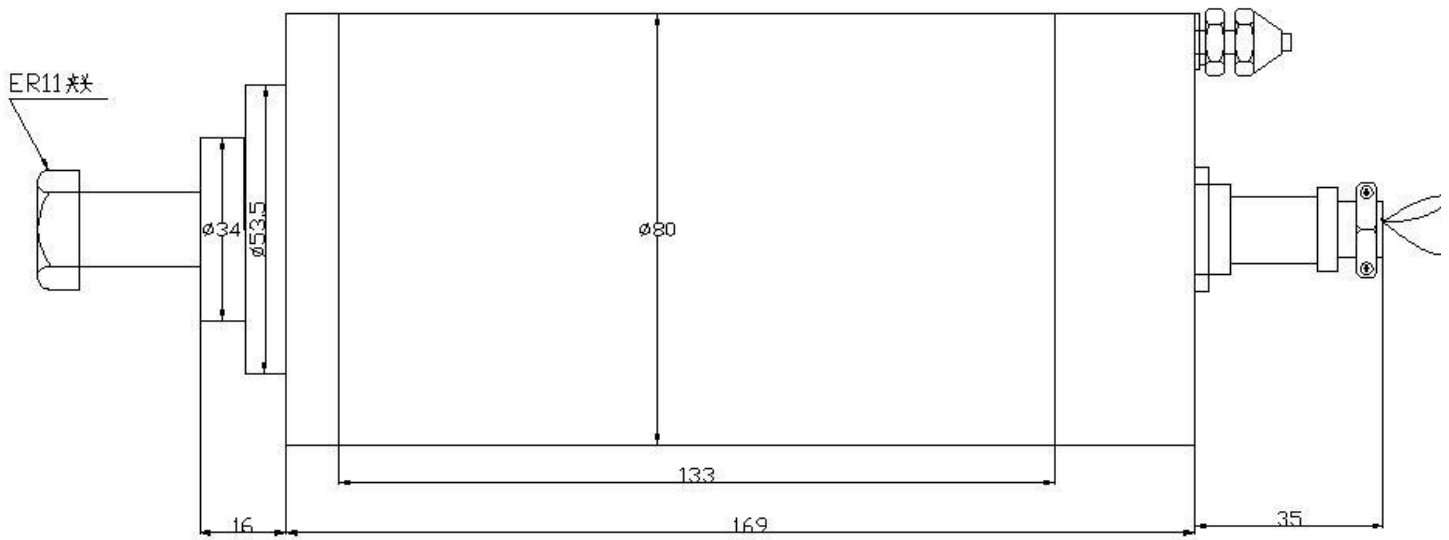
Collet(mm): ER11

Diameter(mm): 65

EXW: USD139

1.5kw Spindle Motor

1500W 外型尺寸简图



1.5kw Spindle Motor

Brand name: Haina

Spindle type: HNZ-80D/1.5

Function: used in wood carving , drilling , engraving and milling machinery

Rev(r/min): 24000

Power(kw): 1.5

Voltage(v): 220

Current(A): 6.5

Frequency(HZ): 400

Cool: cooled by water

Bearing type: 1*7002CP4

1*7002CP4

Lubricate: grease

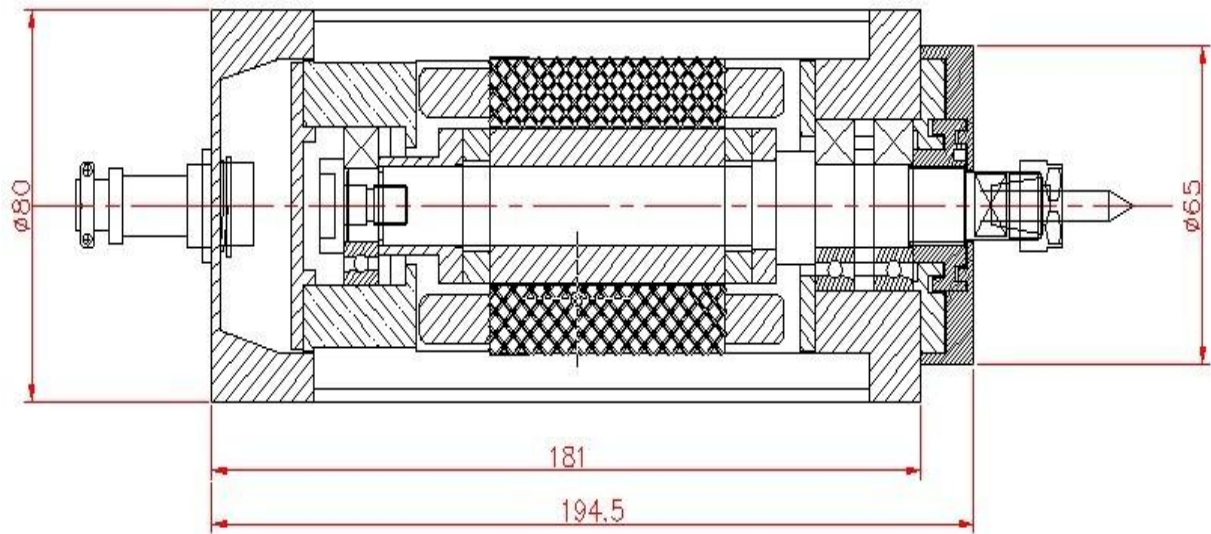
Repair time: bearing(half year), spindle(one year)

Weight(kg): 4.5

Collet(mm): ER11

Diameter(mm): 80

1.5kw-A Spindle Motor



1.5kw-A Spindle Motor

Spindle type: HNZ-80D/1.5A

Brand name: Haina

Function: used in wood carving machine

Rev(r/min): 24000

Power(kw): 1.5

Voltage(v): 220

Current(A): 6.5

Frequency(HZ): 400

Cool: cooled by water

Bearing type: 2*7003CP4 1*7002CP4

Lubricate: grease

Repair time: bearing(half year), spindle(one year)

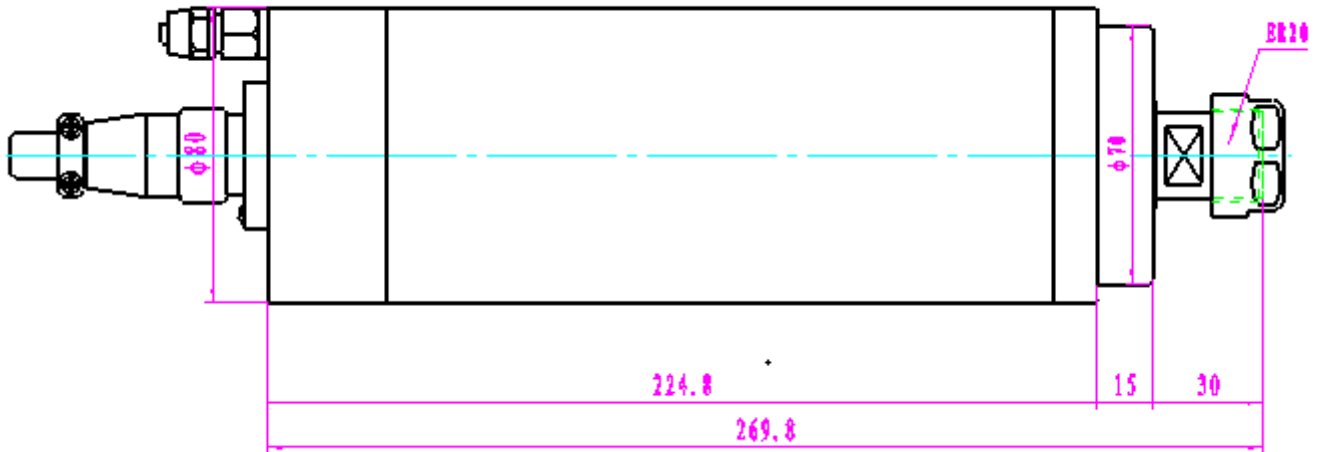
Weight(kg): 6.0

Collet(mm): ER11

Diameter(mm): 80

EXW: USD139

2.2kw-A Spindle Motor



2.2kw Spindle Motor

Spindle type: HNZ-80D/2.2A

Brand name: Haina

Function: used in wood carving machine

Rev(r/min): 24000

Power(kw): 2.2

Voltage(v): 220

Current(A): 8

Frequency(HZ): 400

Cool: cooled by water

Bearing type: 2*7005CP4 2*7002CP4

Lubricate: grease

Repair time: bearing(half year), spindle(one year)

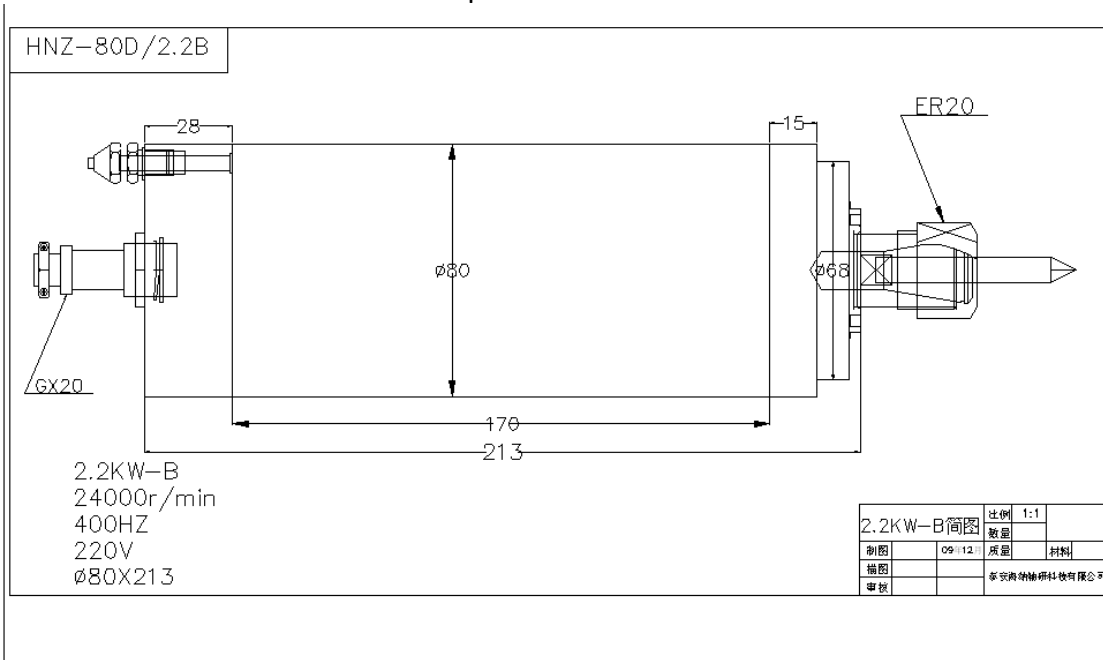
Weight(kg): 7

Collet(mm): ER20

Diameter(mm): 80

EXW: USD245

2.2kw-B Spindle Motor



Spindle type: HNZ-80D/2.2B

Brand name: Haina

Function: used in wood carving machine

Rev(r/min): 24000

Power(kw): 2.2

Voltage(v): 220

Current(A): 8

Frequency(HZ): 400

Cool: cooled by water

Bearing type: 2*7005CP4 1*7002CP4

Lubricate: grease

Repair time: bearing(half year), spindle(one year)

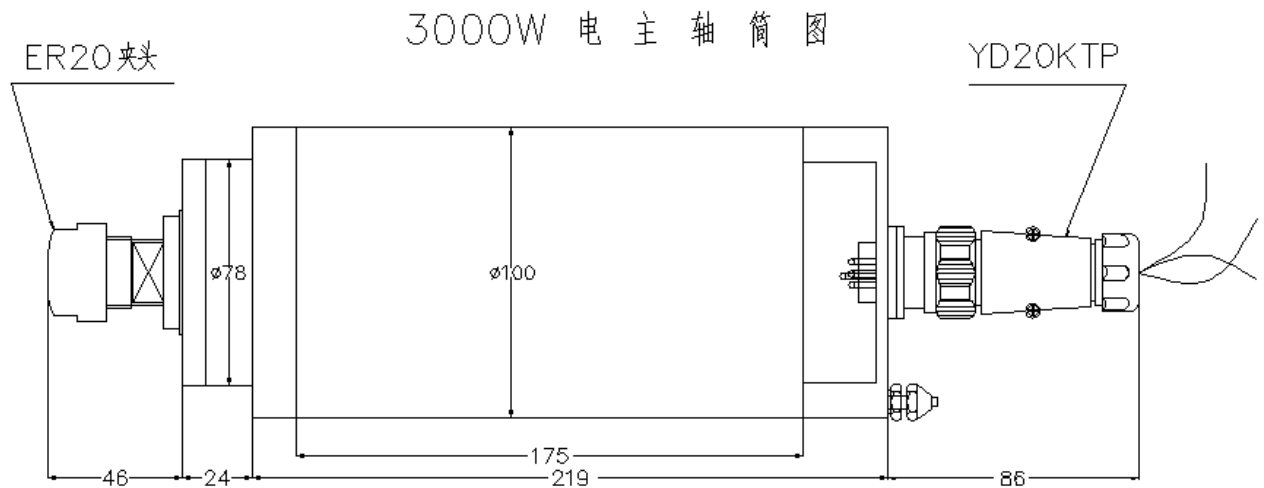
Weight(kg): 7

Collet(mm): ER20

Diameter(mm): 80

EXW: USD228

3.0 kw-220v Spindle Motor



3.0kw-220v Spindle Motor

Brand name: Haina

Spindle type: HNZ-100D/3.0-220

Function: used in wood carving machine

Rev(r/min): 24000

Power(kw): 3.0

Voltage(v): 220

Current(A):12

Frequency(HZ): 400

Cool: cooled by water

Bearing type: 2*7005CP4 1*7003CP4

Lubricate: grease

Repair time: bearing(half year), spindle(one year)

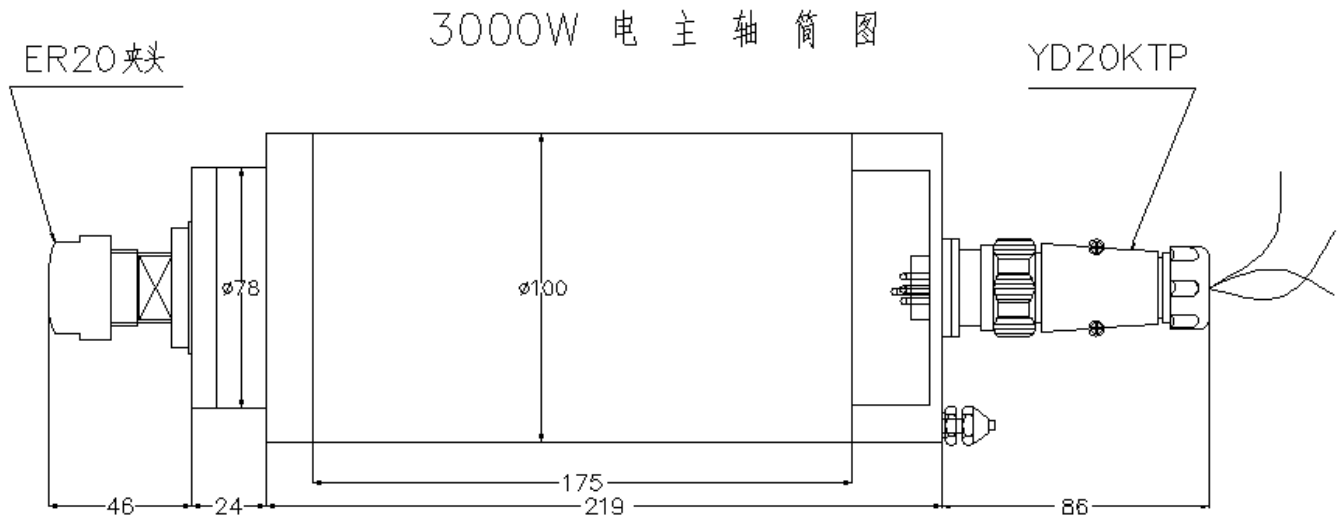
Weight(kg): 12

Collet(mm): ER20

Diameter(mm): 100

EXW: USD257

3.0 kw-380v Spindle Motor



3.0kw-380v Spindle Motor

Brand name: Haina

Spindle type: HNZ-100D/3.0-380

Function: used in wood carving machine

Rev(r/min): 24000

Power(kw): 3.0

Voltage(v): 380

Current(A): 10

Frequency(HZ): 400

Cool: cooled by water

Bearing type: 2*7005CP4 1*7003CP4

Lubricate: grease

Repair time: bearing(half year), spindle(one year)

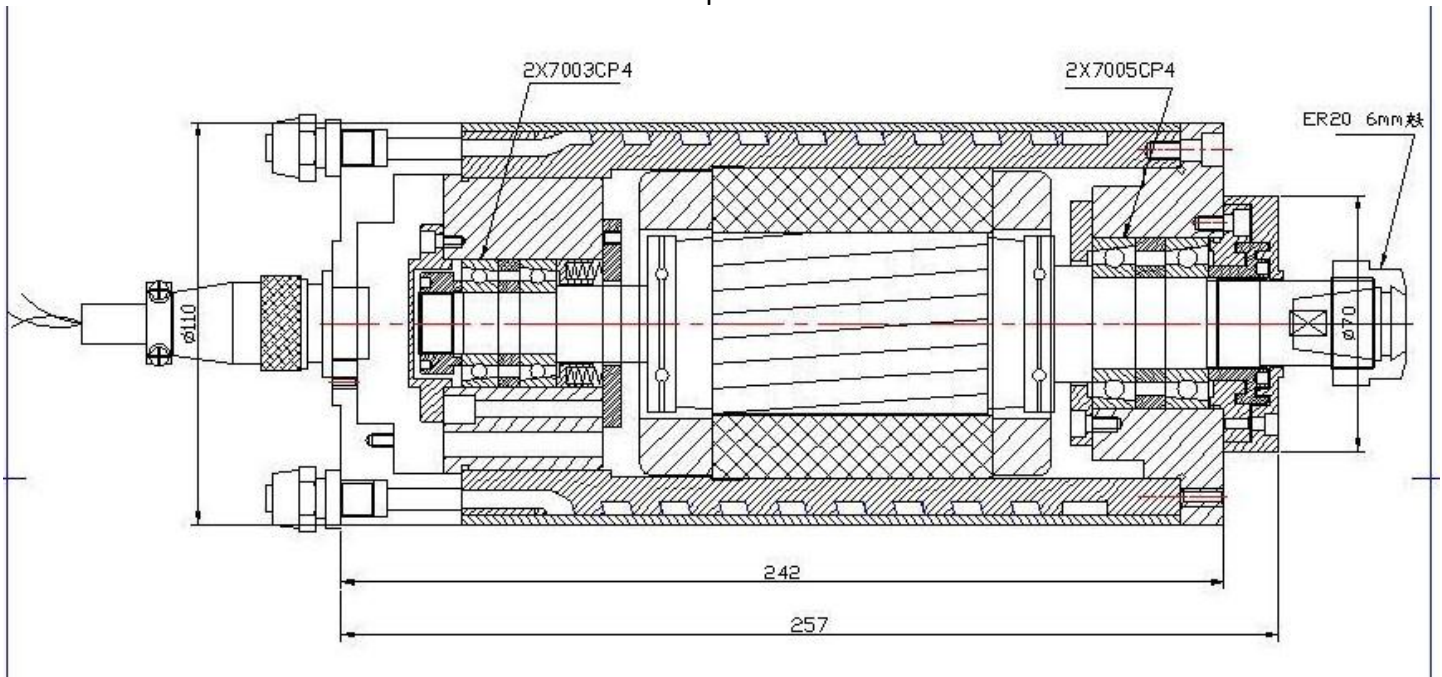
Weight(kg): 12

Collet(mm): ER20

Diameter(mm): 100

EXW: USD257

4.5kw-110D Spindle Motor



4.5kw-110D Spindle Motor

Brand name: Haina

Spindle type: HNZ-110D/4.5

Function: used in wooden carving , drilling , engraving and milling machinery

Rev(r/min): 24000

Power(kw): 4.5

Voltage(v):380

Current(A): 10

Frequency(HZ): 400

Cool: cooled by water

Bearing type: 2*7005CP4 2*7003CP4

Lubricate: grease

Repair time: bearing(half year), spindle(one year)

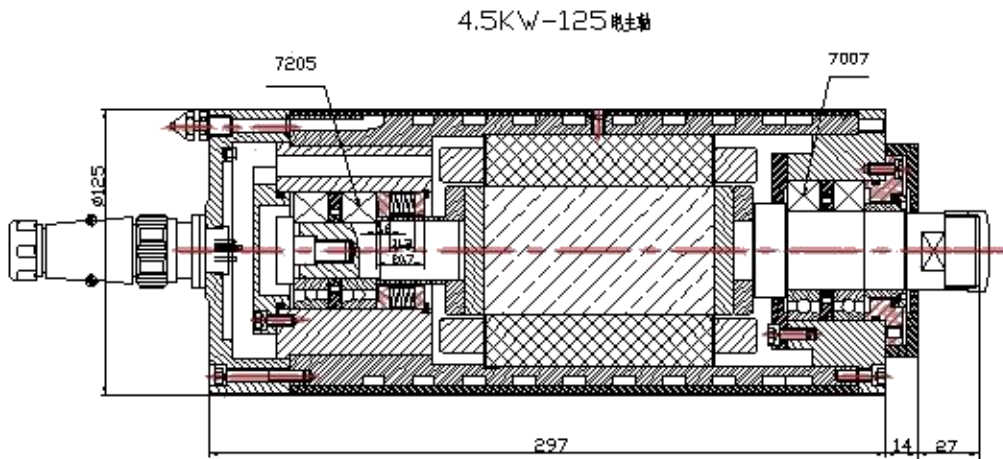
Weight(kg): 16

Collet(mm): ER25

Diameter(mm):110

EXW: USD455

4.5kw-125D Spindle Motor



4.5kw-125D Spindle Motor

Brand name: Haina

Spindle type: HNZ-125D/4.5

Function: used in wooden carving , drilling , engraving and milling machinery

Rev(r/min): 24000

Power(kw): 4.5

Voltage(v):380

Current(A): 10

Frequency(HZ): 400

Cool: cooled by water

Bearing type: 2*7007CP4 2*7205CP4

Lubricate: grease

Repair time: bearing(half year), spindle(one year)

Weight(kg): 16

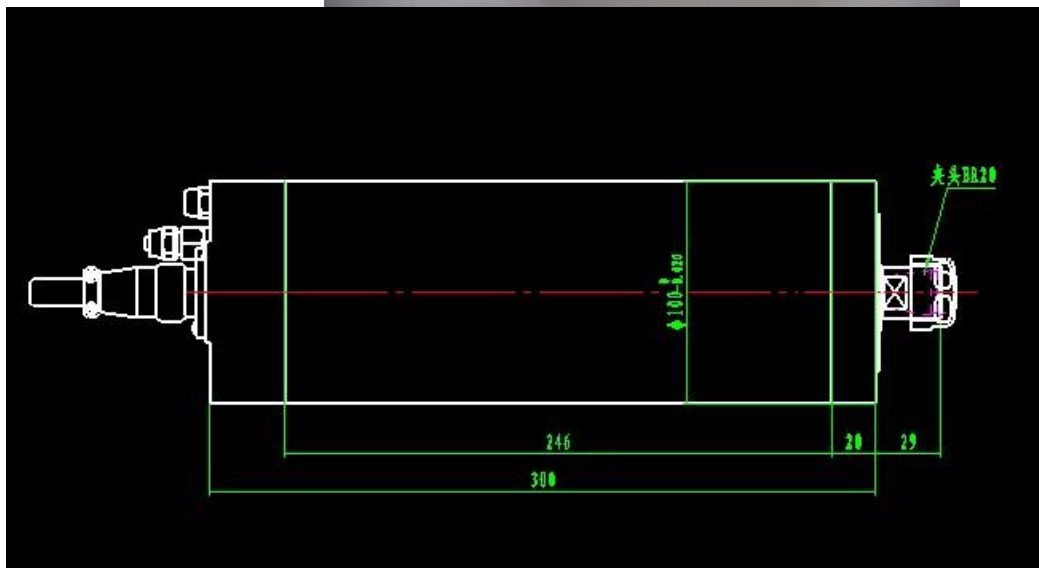
Collet(mm): ER25

Diameter(mm):125

EXW: USD535

Stone engraving machines

3.5kw spindle motor for stone engraving



3.5kw Spindle Motor:

Brand name: Haina

Spindle type: HNZ-3.5

Function: used in wood carving machine and engraving

Rev(r/min): 18000-24000

Power(kw): 3.5

Voltage(v): 380

Current(A): 7.4

Frequency(HZ): 300

Torque: 1.96Nm

Cool: cooled by water

Lubricate: grease

Bearing type: 2*7007CP4 2*7002CP4

Repair time: bearing(half year), spindle(one year)

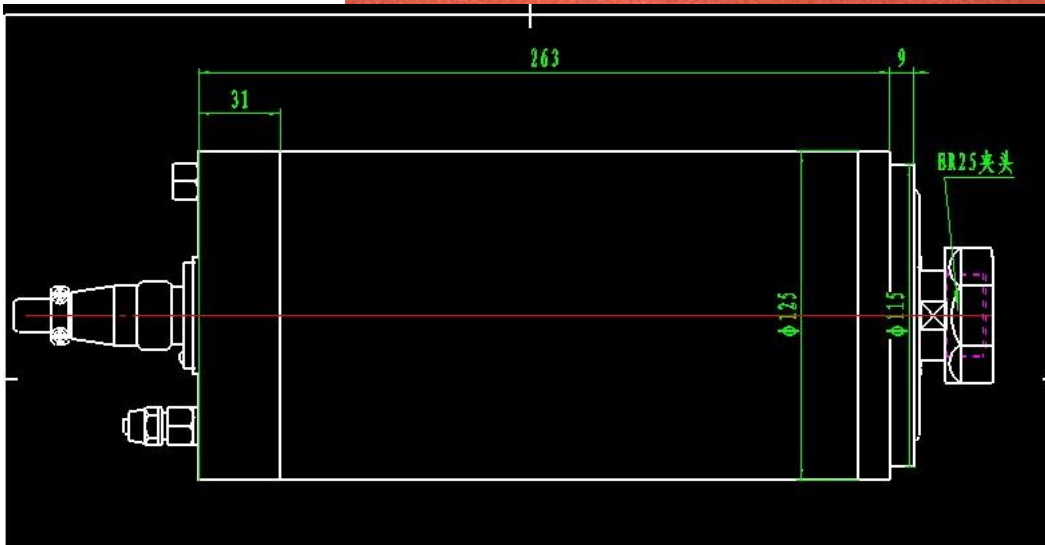
Weight (kg) : 9

Collet(mm): ER20

Diameter (mm): 100

EXW price: USD 610

4.5kw spindle motor for stone engraving



4.5kw Spindle Motor:

Brand name: Haina

Spindle type: HNZ-4.5

Function: used in stone carving machine and engraving

Rev(r/min): 18000-24000

Power(kw): 4.5

Voltage(v): 380

Current(A): 9.0

Frequency(HZ): 300

Torque: 2.38Nm

Cool: cooled by water

Lubricate: grease

Bearing type: 2*7008CP4 2*7002CP4

Repair time: bearing(half year), spindle(one year)

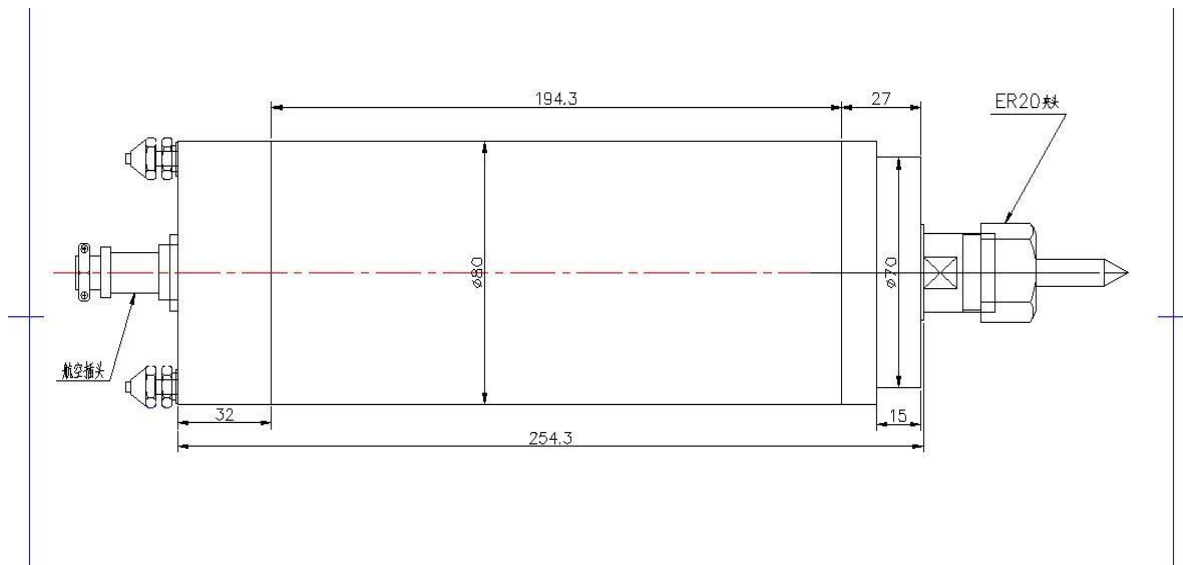
Weight (kg) : 11.5

Collet(mm): ER25

Diameter (mm): 125

EXW price :USD 691

Permanent Power Spindle
1.2kw Spindle Motor



1.2kw Spindle Motor (Permanent Power):

Brand name: Haina

Spindle type: HNZ-80D/1.2

Function: used in metal carving ,and engraving

Rev(r/min): 2000-12000

Power(kw): 1.2

Voltage(v): 220

Current(A): 7

Frequency(HZ): 400

Cool: cooled by water

Lubricate: grease

Bearing type: 2*7005CP4 2*7002CP4

Repair time: bearing(half year), spindle(one year)

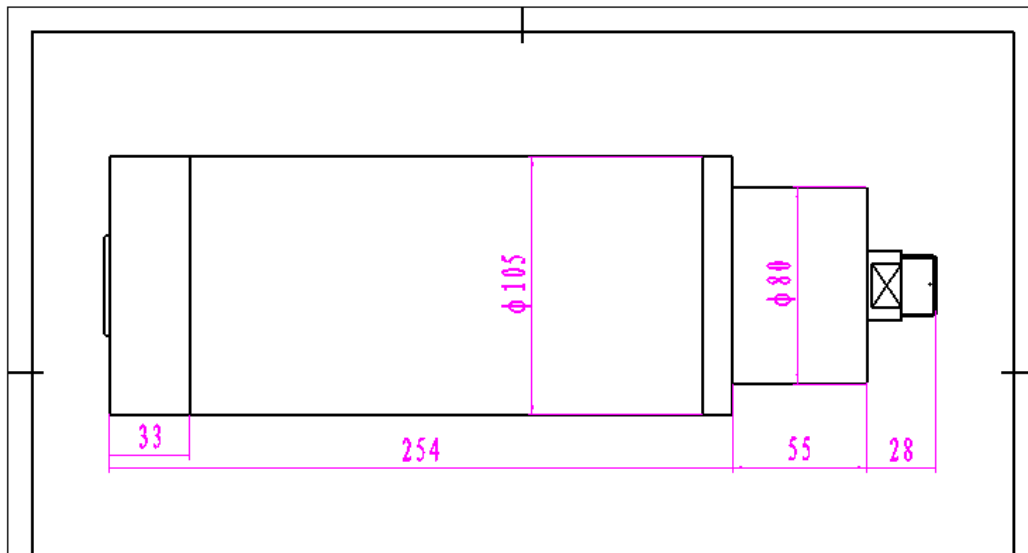
Weight(kg): 8

Collet(mm): ER20

Diameter(mm): 80

EXW: USD438

2.2kw Spindle Motor



2.2kw Spindle Motor (Permanent Power):

Brand name: Haina

Spindle type: HNZ-105D/2.2

Function: used in metal carving ,and engraving

Rev(r/min): 12000-24000

Power(kw): 2.2

Voltage(v): 220

Current(A): 6.5

Frequency(HZ): 400-800

Cool: cooled by water

Lubricate: grease

Bearing type: 2*7005CP4 2*7004CP4

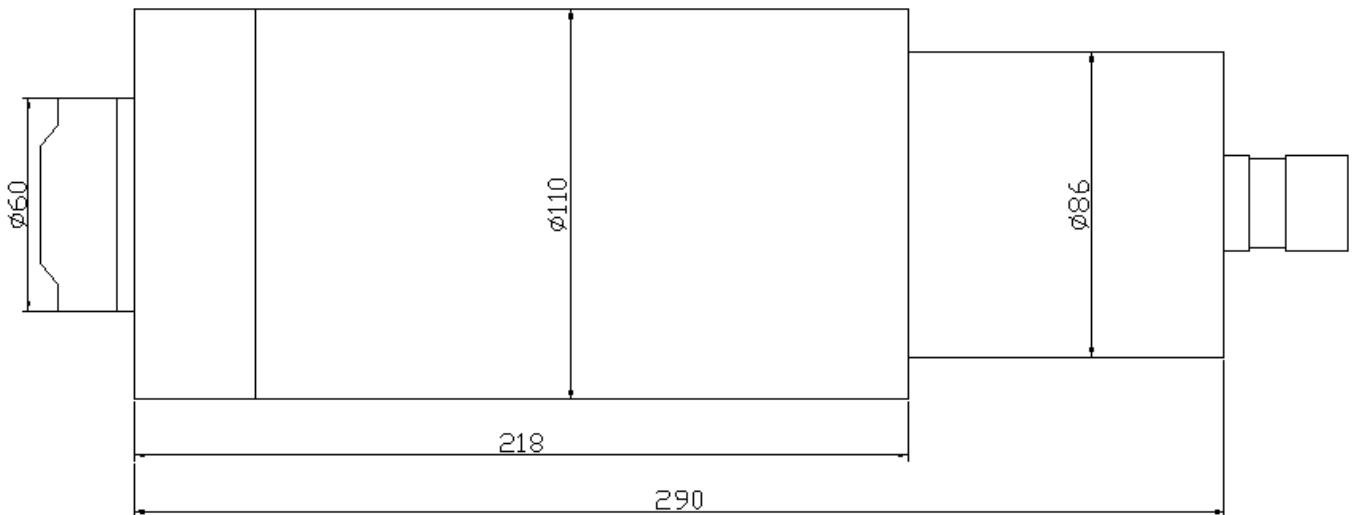
Repair time: bearing(half year), spindle(one year)

Collet(mm): ER20

Diameter(mm): 105

EXW: USD647

3.0kw Spindle Motor



3.0kw Spindle Motor (Permanent Power):

Brand name: Haina

Spindle type: HNZ-110D/3.0

Function: used in metal carving ,and engraving

Rev(r/min): 12000-24000

Power(kw): 3.0

Voltage(v): 380

Current(A): 10

Frequency(HZ): 400-800

Cool: cooled by water

Lubricate: grease

Bearing type: 2*7005CP4 2*7003CP4

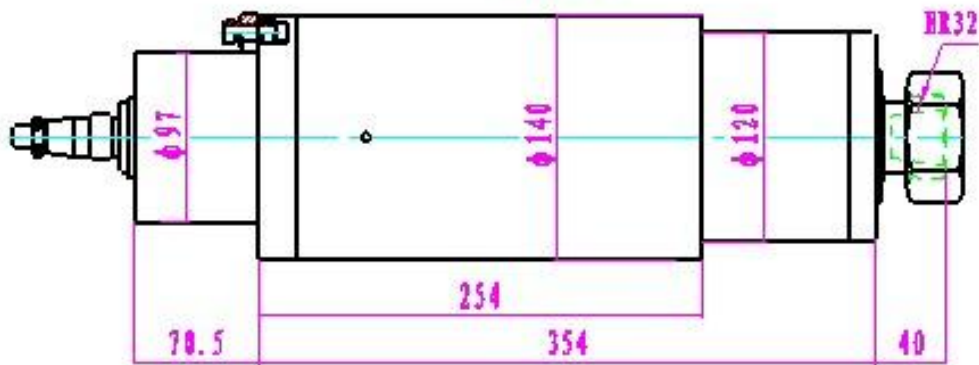
Repair time: bearing(half year), spindle(one year)

Collet(mm): ER25

Diameter(mm): 110

EXW: USD761

5.5kw Spindle Motor



5.5kw Spindle Motor (Permanent Power):

Brand name: Haina

Spindle type: HNZ-140D/5.5

Function: used in metal carving ,and engraving

Rev(r/min): 3000-16000

Power(kw): 5.5

Voltage(v): 380

Current(A): 15

Frequency(HZ): 800

Cool: cooled by water

Lubricate: grease

Bearing type: 4*7010CP4 2*7008CP4

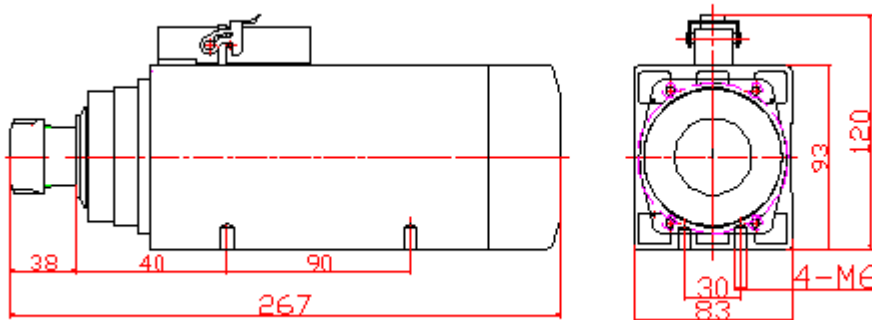
Repair time: bearing(half year), spindle(one year)

Collet(mm): ER32

Diameter(mm): 140

EXW: USD1163

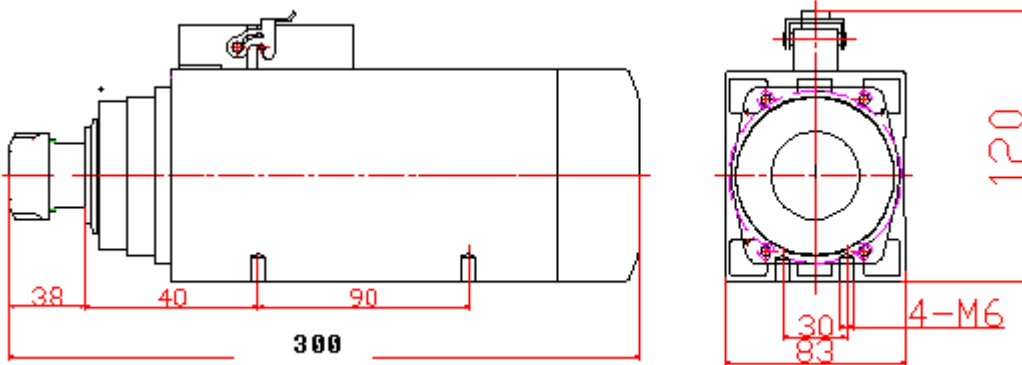
SPINDLE MOTOR (COOLED BY AIR)
1.5kw Spindle Motor



1.5kw

Spindle Motor:
Brand name: Haina
Spindle type: HNZ-1.5
Function: used in wood carving machine
Rev(r/min): 18000-24000
Power(kw): 1.5
Voltage(v): 220
Current(A): 5.5
Frequency(HZ): 300
Cool: cooled by air
Lubricate: grease
Torque: 0.8Nm
Bearing type: 2*7005CP4 HQ1 1*7002CP4 (Ceramic ball)
Repair time: bearing(half year), spindle(one year)
Weight (kg) : 6.5
Collet(mm): ER20
Length (mm): 267
EXW: USD269

2.2kw Spindle Motor



2.2kw Spindle Motor:

Brand name: Haina

Spindle type: HNZ-2.2

Function: used in wood carving machine and engraving

Rev(r/min): 18000-24000

Power(kw): 2.2

Voltage(v): 220

Current(A): 7.8

Frequency(HZ): 300

Torque: 1.16Nm

Cool: cooled by air

Lubricate: grease

Bearing type: 2*7005CP4 HQ1 1*7002CP4 (Ceramic ball)

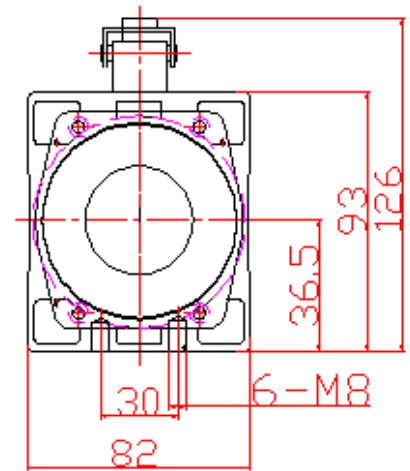
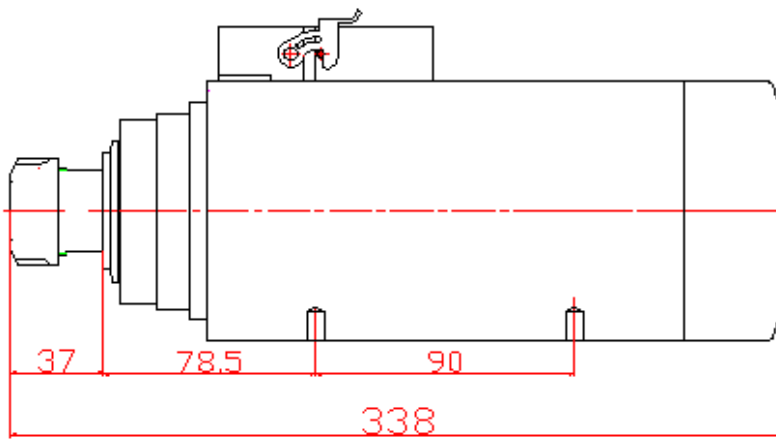
Repair time: bearing(half year), spindle(one year)

Weight (kg) : 7.5

Collet(mm): ER20

Length (mm): 297

EXW: USD293



3.7kw Spindle Motor

3.7kw Spindle Motor:

Brand name: Haina

Spindle type: HNZ-3.7

Function: used in wood carving machine and engraving

Rev(r/min): 18000-24000

Power(kw): 3.7

Voltage(v): 380

Current(A): 7.4

Frequency(HZ): 300

Torque: 1.96Nm

Cool: cooled by air

Lubricate: grease

Bearing type: 2*7007CP4 2*7002CP4 (Ceramic ball)

Repair time: bearing(half year), spindle(one year)

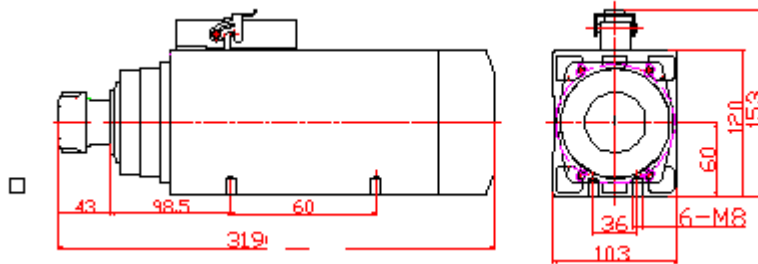
Weight (kg) : 9

Collet(mm): ER25

Length (mm): 338

EXW: USD454

4.5kw Spindle Motor



4.5kw Spindle Motor:

Brand name: Haina

Spindle type: HNZ-4.5

Function: used in wood carving machine and engraving

Rev(r/min): 18000-24000

Power(kw): 4.5

Voltage(v): 380

Current(A): 9.0

Frequency(HZ): 300

Torque: 2.38Nm

Cool: cooled by air

Lubricate: grease

Bearing type: 2*7008CP4 2*7002CP4 (Ceramic ball)

Repair time: bearing(half year), spindle(one year)

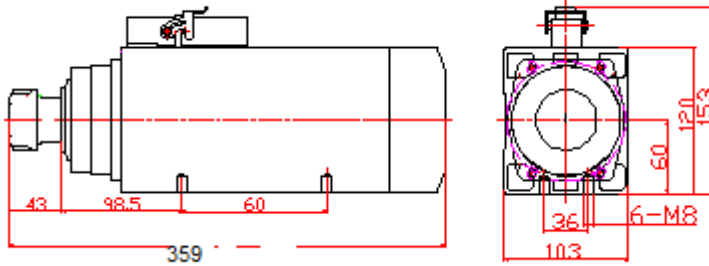
Weight (kg) : 11.5

Collet(mm): ER32

Length (mm): 310

EXW: USD583

6.0kw Spindle Motor



6.0kw Spindle Motor:

Brand name: Haina

Spindle type: HNZ-6.0

Function: used in wood carving machine and engraving

Rev(r/min): 18000

Power(kw): 6.0

Voltage(v): 380

Current(A): 12.0

Frequency(HZ): 300

Torque: 3.18Nm

Cool: cooled by air

Lubricate: grease

Bearing type: 2*7008CP4 HQ1 1*7002CP4 (Ceramic ball)

Repair time: bearing(half year), spindle(one year)

Weight (kg) : 13.5

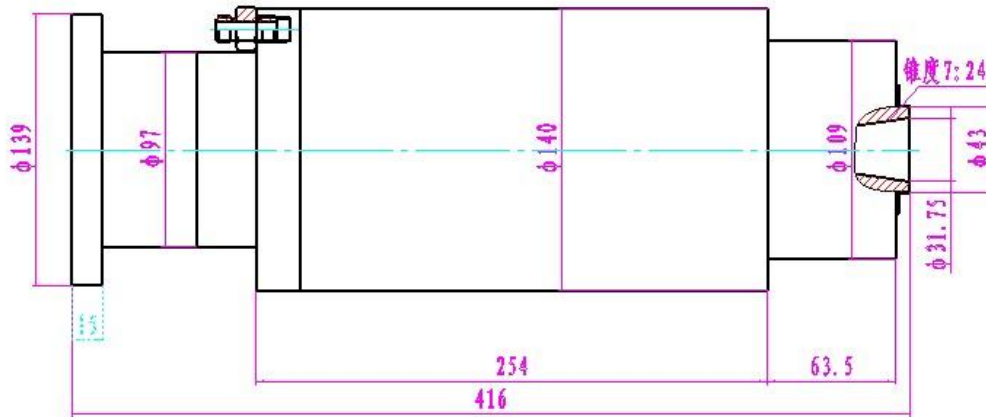
Collet(mm): ER32

Length (mm): 350

EXW: USD665

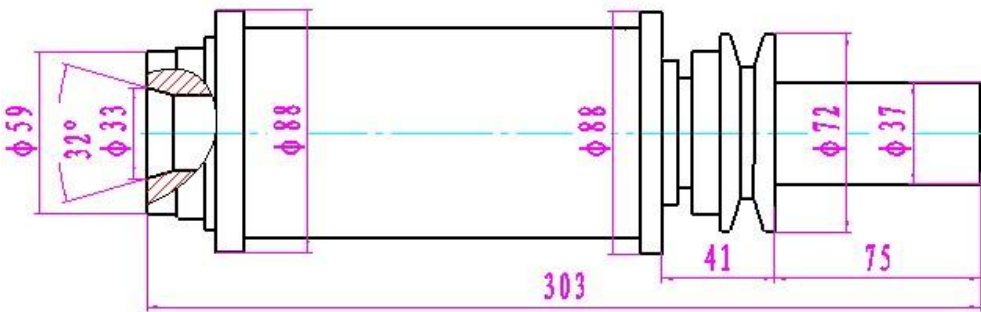
BT30 5.5kw





Brand name: Haina
 Spindle type: 140-HNZ5.5
 Power: 5.5KW
 Joint of Nose: BT30
 Noise: 66db
 Voltage: 380v
 Shocking: 0.5 μ m
 Current: 15A
 Diameter: 140mm
 Length: 416mm
 Cooling: water cooling
 Speed: 3000-16000rpm
 Temperature control: 18 $^{\circ}$ C
 Frequency: 800Hz
 Torque: 3.6N.m-18Nm
 Bearings: 7010*4 7008*2
 Repair time: bearing(half year), spindle(one year)
 EXW price :USD2635

CNC PRECISION AUTOMATIC LATHE



参数:

锥度: 32度

通孔: 27-50

转速: 3000-12000rpm;

					康安海纳制
图号	比例	分区	规格	材料	日期
					外形

CNC PRECISION AUTOMATIC LATHE:

Brand name: Haina

Spindle type: HNZ-CK0620

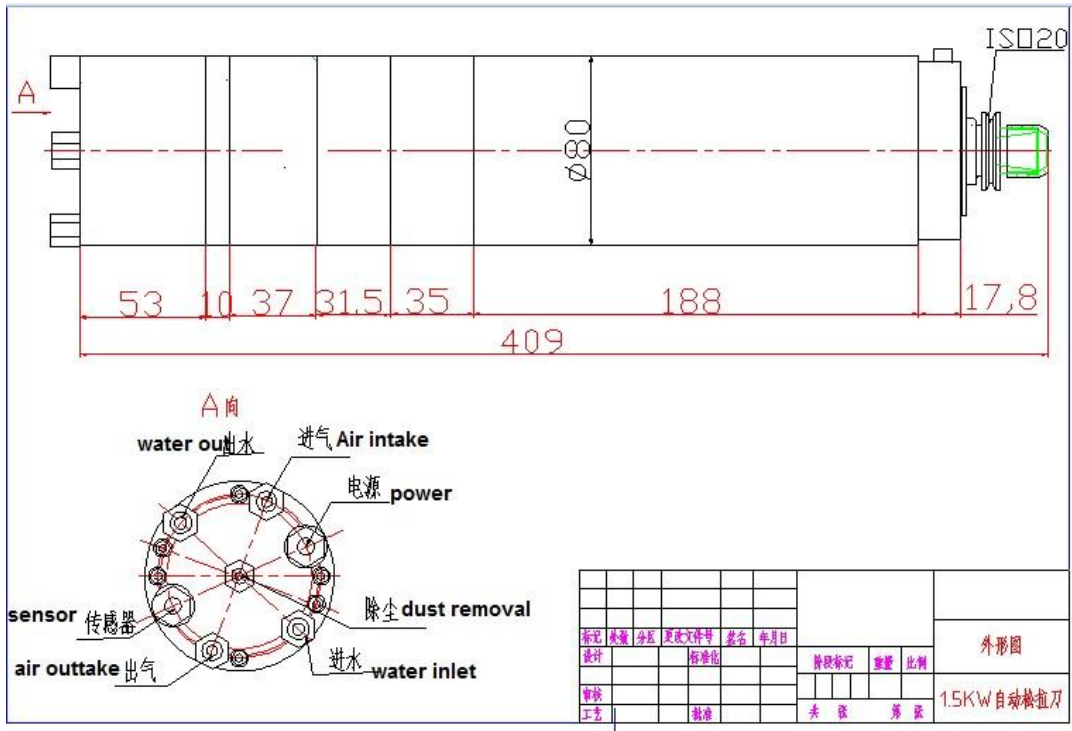
Function: used in cnc precision automatic lathe

Rev(r/min): 3000-12000

Repair time: bearing(half year), spindle(one year)

Length (mm): 303mm

ATC ISO 20 1.5KW SPINDLE



Brand name: Haina
 Spindle type: 80-HNZ24Z1.5
 Power: 1.5KW
 Joint of Nose: ISO 20
 Noise: 66db
 Voltage: 220v
 Shocking: 1.0 μ m
 Current: 5.4A
 Diameter: 80mm
 Length: 409mm
 Cooling: Grease
 Speed: 24000rpm
 Temperature control: 22-25 $^{\circ}$ C
 Frequency: 400Hz
 Torque: 0.6N.m
 Bearings: 7006*2 7004*1
 Repair time: bearing(half year), spindle(one year)
 EXW price: USD1743

Генеральный директор _____ Савватеев В.А.
[Контактные данные:](#) тел. 914-318-43-57, Skype: savva56